



ICC - Heavy Duty Conveyor Pulleys

Engineers and Manufacturers of Washing, Vibrating and Crushing Equipment

Description



ICC pulleys offer an exceptional combination of reliability, quality, and value in off-the-shelf conveyor pulleys. Using one piece tubes for head pulleys, and heavy duty fabricated tail pulleys, these pulleys are ideal for medium duty aggregate applications.

The pulleys use engineered end discs and standard XT style bushings for attachment on shafting. The pulleys are available in a wide range of standard sizes.

All ICC pulleys come with a standard one-year warranty. With the best pricing in the industry, and off-the-shelf availability, these pulleys are ideal for today's competitive environment.

For common, off-the shelf pulley requirements, the popular sizes that comprise the line are intended to become a reliable alternative to existing sources.

The components are stocked in locations across the country, and are often available for delivery with minimal lead time and freight.



Features

- Heavy-duty fabrication
- XT or QD hubs
- Drums made from 1/2" pipe tubing
- Machined crowns
- Vulcanized lagging
- 1-1/4" end discs on wings
- Flat or round bar wing designs available
- 3/8" and 1/2" end discs on drums

Available Diameters

12" 14" 16" 18"

Available Widths

- 26" - 38" - 51"
- 32" - 44"

Other Considerations

- One Year Warranty
- Quick Deliveries
- Off-the-shelf parts
- Nationwide distribution
- Superior Quality
- Low Price Guarantee



Distributed by:



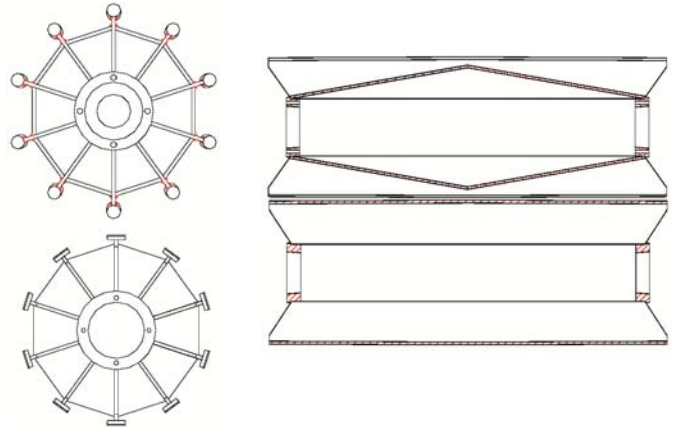
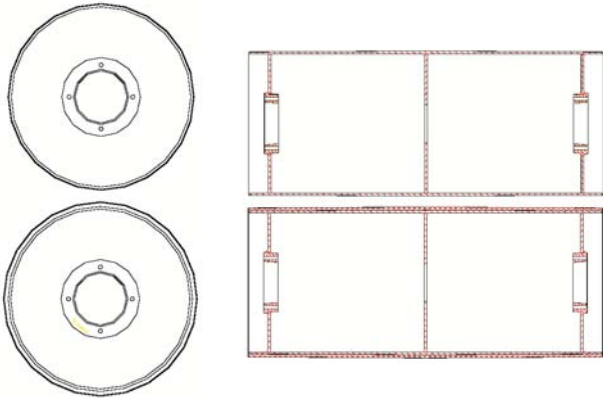
Trio Engineered Products, Inc. 128 Schabarum Avenue • Irwindale, CA 91706

Ph: (626) 851-3966 • Fx: (626) 851-9526 Web: www.trioproducts.com Email: info@trioproducts.com



ICC - Heavy Duty Conveyor Pulleys

Engineers and Manufacturers of Washing, Vibrating and Crushing Equipment



Head/Drum Pulleys

Diameter	Width	Hub	Weight (lbs)
12	26	25	122
12	32	25	146
12	38	25	172
14	26	25	149
14	32	25	177
14	38	25	207
14	32	30	180
14	38	30	210
14	44	30	241
16	26	30	180
16	32	30	213
16	38	35	246
16	44	35	277
16	51	35	319
18	32	35	250
18	38	35	285
18	44	35	325
18	51	35	367

Wing/Tail Pulleys

Diameter	Width	Hub	Weight (lbs)
12	26	25	122
12	32	25	153
12	38	25	179
14	26	25	160
14	32	25	199
14	38	25	243
14	32	30	196
14	38	30	234
14	44	30	271
16	26	30	185
16	32	30	228
16	38	35	266
16	44	35	317
16	51	35	361
18	38	35	310
18	44	35	356
18	51	40	411



Trio Engineered Products, Inc. 128 Schabarum Avenue • Irwindale, CA 91706

Ph: (626) 851-3966 • Fx: (626) 851-9526 Web: www.trioproducts.com Email: info@trioproducts.com